

[LOBSTER POT TECHNICAL SPEC SHEET: 4K AND 8K CAMERAS]

The Lobster Pot sets new benchmarks for high quality, easy to install time lapse and monitoring cameras. The system is fully managed, from initial site survey and safe installation, right through to removal and the production of your professionally edited high-definition films. We monitor every Lobster Pot in the world from our HQ, by eye every working day and constantly with our automated systems. We have full remote control of every system, so we can change the interval time, image quality and the exposure. This, along with our modular, extremely well-tested design, means that you have the most reliable system, from start to finish.

CAMERA	4K LOBSTER POT	8K LOBSTER POT
Make/Model	Canon 2000D	Nikon D850 or Canon EOS 5DSR
Max. Resolution	6000 x 4000 (24 megapixels)	8688 x 5792 (50.3 megapixels)
Max. Exposure	30 seconds	30 seconds
Light Sensitivity	ISO 100 - 6400	ISO 64 – 25,600
Lens	Sigma 10 - 20mm f/3.5 (a selection of different lenses can be used)	Nikkor 14 – 24mm (a selection of different lenses can be used)
Weight	10 - 11kg	12kg

Hardware

Router: 4G LTE CAT 3 Transfer rate (max): 50Mbps
Computer: 1.1GHz A20 Dual Core ARM CPU, 1GB RAM
Storage: 500GB – 4TB SATA (sufficient for six years' time lapse shooting)

Power

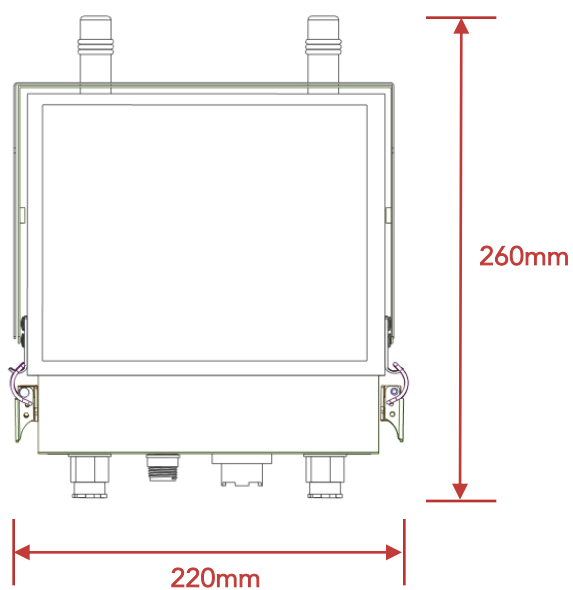
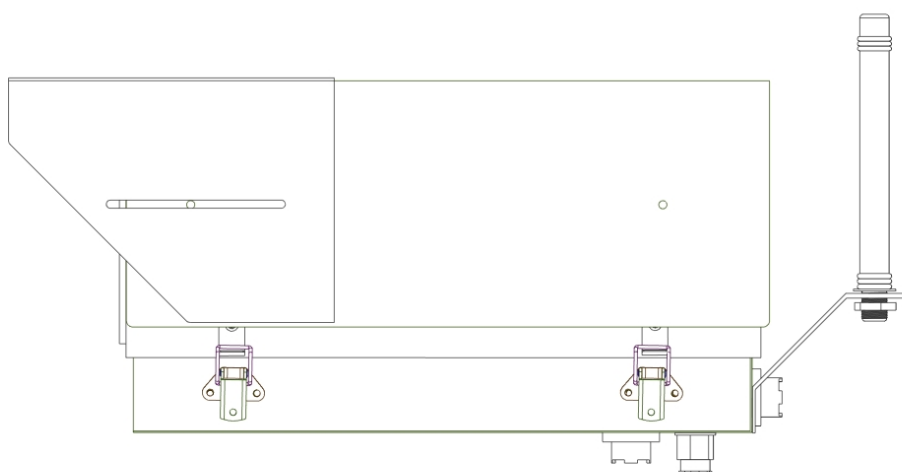
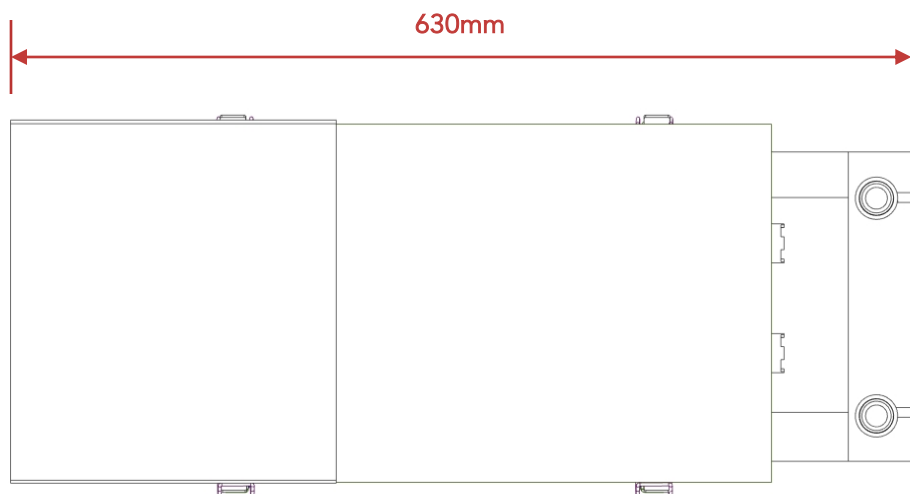
12V Supply: 2-pin Bulgin Buccaneer 400
Mains Supply: 13A or site power - 100V to 240V
Max. Consumption: 12W average consumption (maximum 25W)
Approximately £1 of electricity per month, 2019 prices
Off-grid: Solar powered set available

Environmental

Material: Aluminium, powder coated
Mounting: CCTV industry standard 4" PCD
Min. Clearance: 300mm (Top / Rear / Sides)
Min. Temperature: -20°C / -4°F (deployed at -28°C / -18.4°F for multiple winters)
Max. Temperature: 45°C / 113°F
Heat tested to BS EN 60068-2-2:2007 - 96 hours at 60°C/ 140°F
IP Rating: IP66: Dust-tight, can withstand powerful water jets
De-Misting: Built-in glass heater
Sensing: Temperature, voltages, humidity, exposures captured, power outages



[LOBSTER POT TECHNICAL SPEC SHEET: 4K AND 8K CAMERAS]



Would you like to know more?

Find out how easy it is to install time lapse on your project with our free infographic download
<http://info.lobsterpictures.tv/the-time-lapse-implementation-process-free-infographic-download>

We'd love to hear from you

Just click www.lobsterpictures.tv/contact-us to chat to us.



www.lobsterpictures.tv
Tel: 0117 370 4217